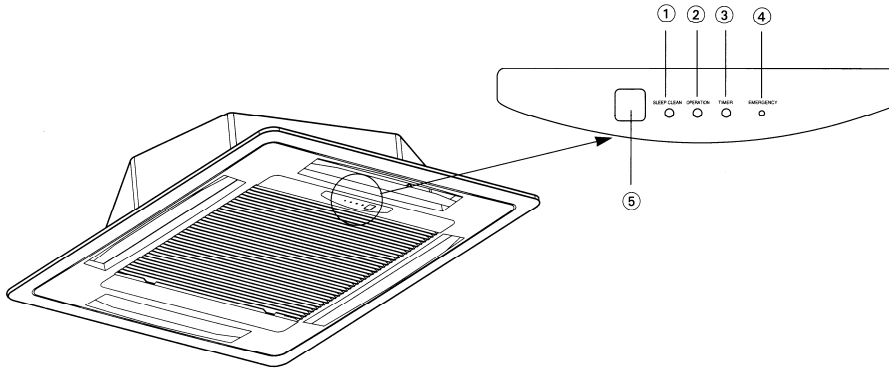


**Indicator Lamps**



- ① **SLEEP ELECTROSTATIC CLEANER (OPTIONAL) (RED)**
  - Lights when sleep function is operating.
  - After 200hrs using, flashes to advise filter cleaning.
- ② **OPERATION INDICATOR (GREEN)**
  - Lights when unit is operating.
  - Flashes when unit turn on lasts for 20 seconds or 2-way/3-way stops.
- ③ **TIMER INDICATOR (YELLOW)**
  - Lights during TIMER operation.
  - Flashes when unit is broken down.
- ④ **EMERGENCY BUTTON**
  - When the remoter is broken or lost, you can use the emergency button to start the A/C.
- ⑤ **SIGNAL RECEIVER**
  - It receives the signal transmitted from the remoter.

Item	Lamp flush times in 2 sec	Action
1	1	Indoor defrost
2	2	Room temp.sensor abnormal
3	3	Water pipe temp.sensor abnormal
4	4	Heat system protect (Over load or defrost)
5	5	Environment temp. abnormal
6	7	Pump abnormal

PS: CWHW indicator lamp function same as CWCS  
(Except “Item 6”→CWHW without Pump)