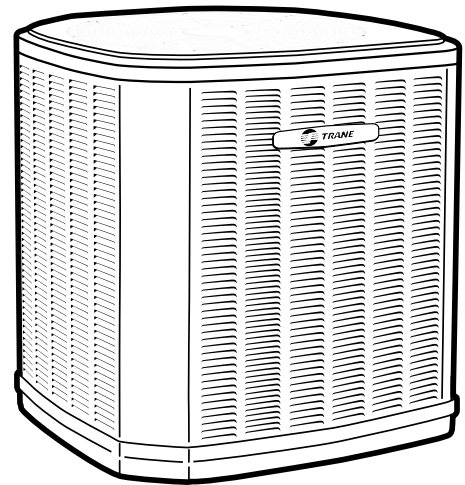




Product Data

Split System Air Conditioner 3-Phase, 208/230V 3-Phase, 460V

4TTA4036A3000A
4TTA4042A3000A
4TTA4048A3000A
4TTA4060A3000A
4TTA4036A4000A
4TTA4042A4000A
4TTA4048A4000A
4TTA4060A4000A



Note: "Graphics in this document are for representation only. Actual model may differ in appearance."



Product Specifications

Model No. ^{(a) (b)}	4TTA4036A3000A	4TTA4042A3000A	4TTA4048A3000A	4TTA4060A3000A
POWER CONNS. — V/PH/Hz ^(c)	208/230/3/60	208/230/3/60	208/230/3/60	208/230/3/60
MIN. BRCH. CIR. AMPACITY	12	15	18	21
BR. CIR. PROT. RTG. — MAX. (AMPS)	20	25	30	35
COMPRESSOR	CLIMATAUFF®- SCROLL	CLIMATUFF®- SCROLL	CLIMATUFF®- SCROLL	CLIMATUFF®- SCROLL
R. L. AMPS ^(d) — L. R. AMPS	9— 71	11.2— 84	13.8— 83	15.9 — 110
Outdoor Fan FL AMPS	0.77	1.05	1.05	1.05
Fan HP	1/8	1/5	1/5	1/5
Fan Dia (inches)	23.0	27.5	27.5	27.5
Coil	SPINE FIN™	SPINE FIN™	SPINE FIN™	SPINE FIN™
Refrigerant R-410A ^(e)	5 LBS., 8 OZ	6 LBS., 2 OZ	5 LBS., 3 OZ	7 LBS., 10 OZ
LINE SIZE — IN. O.D. GAS ^{(f) (g)}	3/4	3/4	7/8	7/8
LINE SIZE — IN. O.D. LIQ. ^(h)	3/8	3/8	3/8	3/8
Charge Spec. Subcooling	10°F	12°F	10°F	10°F
Dimensions H x W X D Crated (IN.)	38 x 30.1 x 33	34.4 x 35.1 x 38.7	34.4 x 35.1 x 38.7	42.4 x 35.1 x 38.7
Weight — Shipping (lbs.)	183	216	212	246
Weight — Net (lbs.)	156	184	189	211
Optional Accessories:				
Evaporator Defrost Control	AY28X079	AY28X079	AY28X079	AY28X079
Rubber Isolator Kit	BAYISLT101	BAYISLT101	BAYISLT101	BAYISLT101
Extreme Condition Mount Kit	BAYECMT0023	BAYECMT004	BAYECMT004	BAYECMT004
Seacoast Kit	BAYSEAC001	BAYSEAC001	BAYSEAC001	BAYSEAC001
Low Ambient Kit	BAYLOAM103	BAYLOAM103	BAYLOAM103	BAYLOAM103
Sound Enclosure	BAYSDEN003	BAYSDEN004	BAYSDEN004	BAYSDEN004
Snow Legs — 6"	BAYLEGS002	BAYLEGS002	BAYLEGS002	BAYLEGS002
Snow Legs Extension — 4"	BAYLEGS003	BAYLEGS003	BAYLEGS003	BAYLEGS003
Service Valve Panel Cover	TAYSVPANL3343AA	TAYSVPANL0032AA	TAYSVPANL0032AA	TAYSVPANL0044AA
Refrigerant Lineset ⁽ⁱ⁾				

^(a) Certified in accordance with the Air-Source Unitary Air-conditioner Equipment certification program, which is based on AHRI standard 210/240.

^(b) Rated in accordance with AHRI standard 270.

^(c) Calculated in accordance with N.E.C. Only use HACR circuit breakers or fuses.

^(d) This value shown for compressor RLA on the unit nameplate and on this specification sheet is used to compute minimum branch circuit ampacity and max. fuse size. The value shown is the branch circuit selection current.

^(e) This value approximate. For more precise value see unit nameplate.

^(f) Reference the outdoor unit ship-with literature for refrigerant piping length and lift guidelines. Reference the refrigerant piping software pub # 32-3312-xx or refrigerant piping application guide SS-APG006-xx for long line sets or specialty applications (xx denotes latest revision).

^(g) The outdoor condensing units are factory charged with the system charge required for the outdoor condensing unit, ten (10) feet of tested connecting line, and the smallest rated indoor evaporative coil match. Always verify proper system charge via subcooling (TXV/EEV) or superheat (fixed orifice) per the unit nameplate.

^(h) This value approximate. For more precise value see unit nameplate.

⁽ⁱ⁾ 25, 30, 35 and 50 foot linesets available. For a complete listing of lineset options available from equipment or supply stores, refer to the Trane Residential and Light Commercial Product Handbook.



Product Specifications

Model No. ^{(a) (b)}	4TTA4036A4000A	4TTA4042A4000A	4TTA4048A4000A	4TTA4060A4000A
POWER CONNS. — V/PH/HZ ^(c)	460/3/60	460/3/60	460/3/60	460/3/60
MIN. BRCH. CIR. AMPACITY	8	8	8	9
BR. CIR. PROT. RTG. — MAX. (AMPS)	15	15	15	15
COMPRESSOR	CLIMATAUFF®- SCROLL	CLIMATUFF®- SCROLL	CLIMATUFF®- SCROLL	CLIMATUFF®- SCROLL
R. L. AMPS ^(d) — L. R. AMPS	5.8 — 38	5.6 — 44	6.2 — 41	7.1 — 52
Outdoor Fan FL AMPS	0.38	0.6	0.6	1.05
Fan HP	1/8	1/5	1/5	1/5
Fan Dia (inches)	23.0	27.5	27.5	27.5
Coil	SPINE FIN™	SPINE FIN™	SPINE FIN™	SPINE FIN™
Refrigerant R-410A ^(e)	5 LBS., 8 OZ	6 LBS., 3 OZ	5 LBS., 3 OZ	7 LBS., 10 OZ
LINE SIZE — IN. O.D. GAS ^{(f) (g)}	3/4	3/4	7/8	7/8
LINE SIZE — IN. O.D. LIQ. ^(h)	3/8	3/8	3/8	3/8
Charge Spec. Subcooling	10°F	12°F	10°F	10°F
Dimensions H x W X D Crated (IN.)	38 x 30.1 x 33	34.4 x 35.1 x 38.7	34.4 x 35.1 x 38.7	42.4 x 35.1 x 38.7
Weight — Shipping (lbs.)	183	216	212	246
Weight — Net (lbs.)	156	184	189	211
Optional Accessories:				
Evaporator Defrost Control	AY28X079	AY28X079	AY28X079	AY28X079
Rubber Isolator Kit	BAYISLT101	BAYISLT101	BAYISLT101	BAYISLT101
Extreme Condition Mount Kit	BAYECMT0023	BAYECMT004	BAYECMT004	BAYECMT004
Seacoast Kit	BAYSEAC001	BAYSEAC001	BAYSEAC001	BAYSEAC001
Low Ambient Kit	BAYLOAM103	BAYLOAM103	BAYLOAM103	BAYLOAM103
Sound Enclosure	BAYSDEN003	BAYSDEN004	BAYSDEN004	BAYSDEN004
Snow Legs — 6"	BAYLEGS002	BAYLEGS002	BAYLEGS002	BAYLEGS002
Snow Legs Extension — 4"	BAYLEGS003	BAYLEGS003	BAYLEGS003	BAYLEGS003
Service Valve Panel Cover	TAYSVPANL3343AA	TAYSVPANL0032AA	TAYSVPANL0032AA	TAYSVPANL0044AA
Refrigerant Lineset ⁽ⁱ⁾				

^(a) Certified in accordance with the Air-Source Unitary Air-conditioner Equipment certification program, which is based on AHRI standard 210/240.

^(b) Rated in accordance with AHRI standard 270.

^(c) Calculated in accordance with N.E.C. Only use HACR circuit breakers or fuses.

^(d) This value shown for compressor RLA on the unit nameplate and on this specification sheet is used to compute minimum branch circuit ampacity and max. fuse size. The value shown is the branch circuit selection current.

^(e) This value approximate. For more precise value see unit nameplate.

^(f) Reference the outdoor unit ship-with literature for refrigerant piping length and lift guidelines. Reference the refrigerant piping software pub # 32-3312-xx or refrigerant piping application guide SS-APG006-xx for long line sets or specialty applications (xx denotes latest revision).

^(g) The outdoor condensing units are factory charged with the system charge required for the outdoor condensing unit, ten (10) feet of tested connecting line, and the smallest rated indoor evaporative coil match. Always verify proper system charge via subcooling (TXV/EEV) or superheat (fixed orifice) per the unit nameplate.

^(h) This value approximate. For more precise value see unit nameplate.

⁽ⁱ⁾ 25, 30, 35 and 50 foot linesets available. For a complete listing of lineset options available from equipment or supply stores, refer to the Trane Residential and Light Commercial Product Handbook.



Sound Power Level

MODEL	A-Weighted Sound Power Level [dB(A)]	Full Octave Sound Power(dB)							
		63 Hz*	125 Hz	250 Hz	500 Hz	1000 Hz	2000 Hz	4000 Hz	8000 Hz
4TTA4036A	71	73	73	72	69	68	60	52	45
4TTA4042A	71	81	72	69	69	66	60	57	54
4TTA4048A	71	81	72	69	69	66	60	57	54
4TTA4060A	71	81	72	69	69	66	60	57	54

Note: Rated in accordance with AHRI Standard 270-2008 *For Reference Only



Accessory Description and Usage

Anti-Short Cycle Timer — Solid state timing device that prevents compressor recycling until five (5) minutes have elapsed after satisfying call or power interruptions. Use in area with questionable power delivery, commercial applications, long lineset, etc.

Evaporation Defrost Control — SPST Temperature actuated switch that cycles the condenser off as indoor coil reaches freeze-up conditions. Used for low ambient cooling to 30°F with TXV.

Rubber Isolators — Five (5) large rubber donuts to isolate condensing unit from transmitting energy into mounting frame or pad. Use on any application where sound transmission needs to be minimized.

Hard Start Kit — Start capacitor and relay to assist compressor motor startup. Use in areas with marginal power supply, on long linesets, low ambient conditions, etc.

Extreme Condition Mount Kit — Bracket kits to securely mount condensing unit to a frame or pad without removing any panels. Use in areas with high winds, or on commercial roof tops, etc.

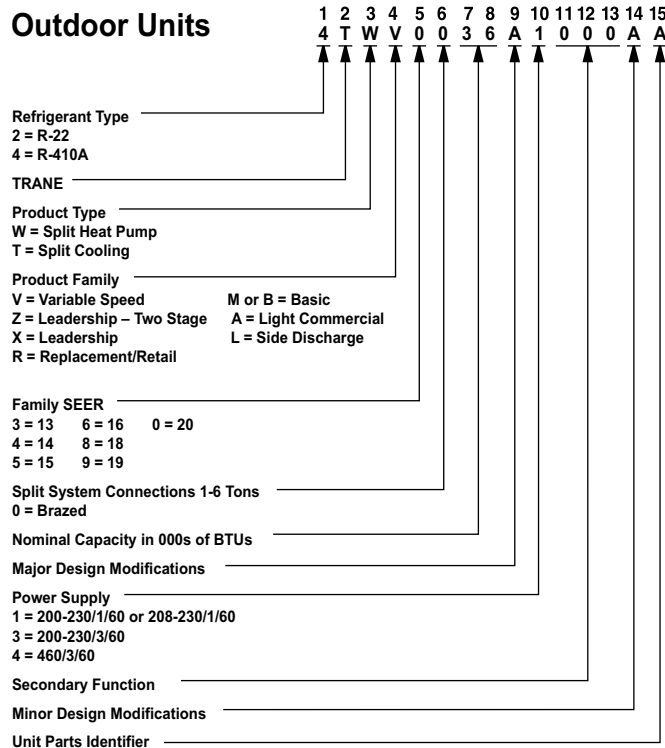
AHRI Standard Capacity Rating Conditions

AHRI Standard 210/240 Rating Conditions

1. Cooling 80°F DB, 67°F WB air entering indoor coil, 95°F DB air entering outdoor coil.
2. High Temperature Heating 47°F DB, 43°F WB air entering outdoor coil, 70°F DB air entering indoor coil.
3. Low Temperature Heating 17°F DB air entering indoor coil.
4. Rated indoor airflow for heating is the same as for cooling.

AHRI Standard 270 Rating Conditions — (Noise rating numbers are determined with the unit in cooling operations.) Standard Noise Rating number is at 95°F outdoor air.

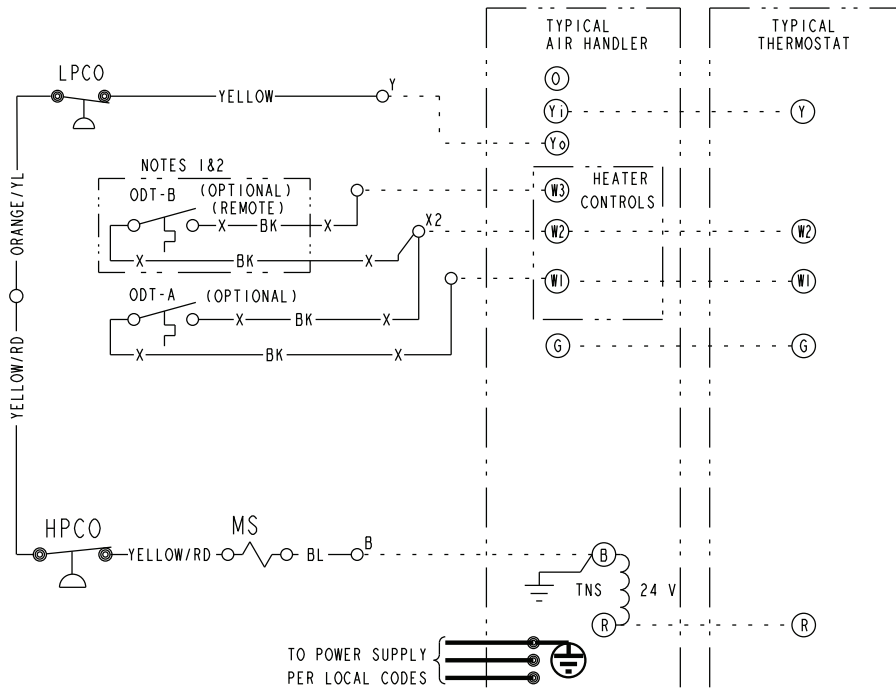
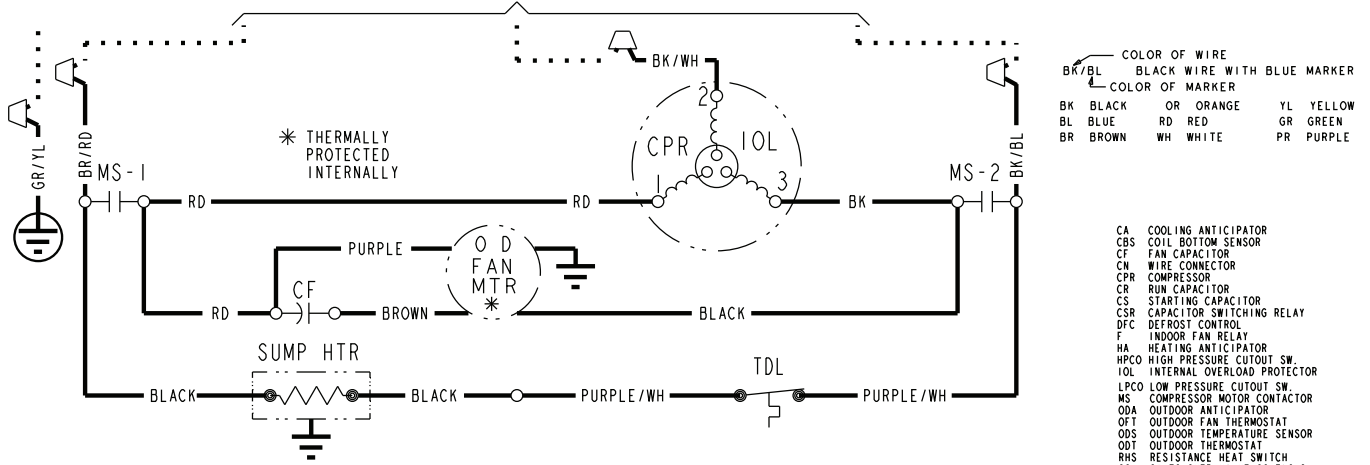
Model Nomenclature



Schematic Diagrams

Figure 1. D157062P04 — 230V Models

TO POWER SUPPLY PER UNIT NAMEPLATE AND LOCAL CODES



- NOTES:
- IF ODT-B IS NOT USED, ADD JUMPER BETWEEN W2 & W3 AT AIR HANDLER. IF USED, ODT-B MUST BE MOUNTED REMOTE OF CONTROL BOX IN AN APPROVED WEATHER PROOF ENCLOSURE.
 - IF ODT-A IS NOT USED, ADD JUMPER BETWEEN W1 & W2 AT AIR HANDLER.
 - LOW VOLTAGE (24 V.) FIELD WIRING MUST BE 18 AWG MIN.

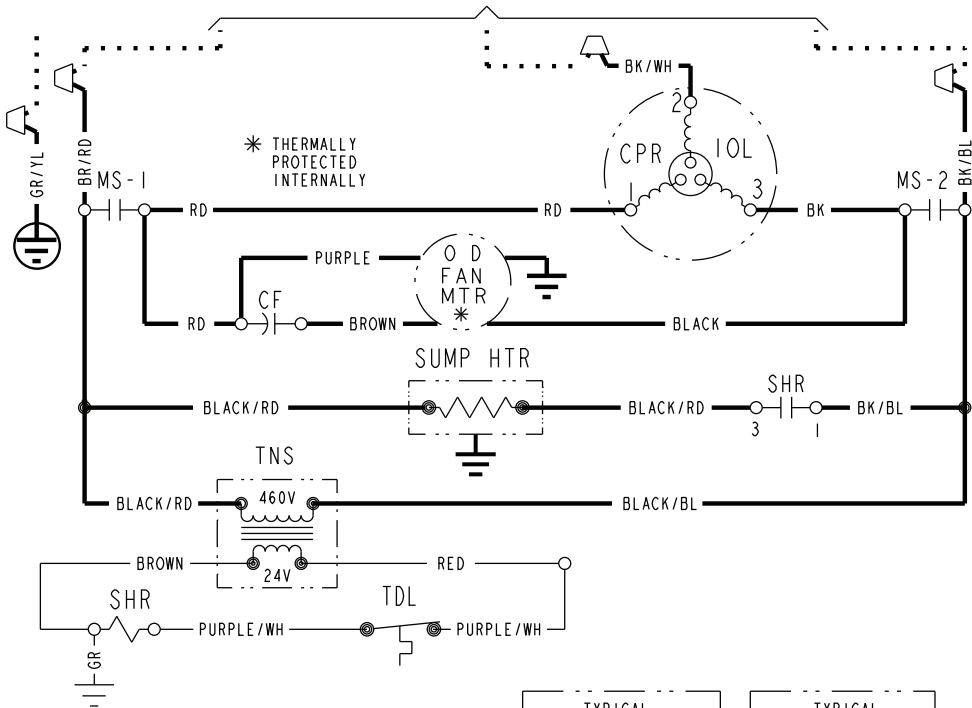
LEGEND-EQUIPMENT DIAGRAM

— 24 V. LINE V. }	FACTORY WIRING		THERMISTOR
- - - 24 V. LINE V. }	FIELD WIRING		INTERNAL OVERLOAD PROTECTOR
⊥	GROUND		PRESSURE ACTUATED SWITCH
•	JUNCTION		TEMP. ACTUATED SWITCH
⊕	WIRE NUT OR CONNECTOR		POL. PLUG FEMALE HOUSING (MALE TERM.)
⌋	COIL		POL. PLUG MALE HOUSING (FEMALE TERM.)
⌋	CAPACITOR		RESISTOR OR HEATING ELEMENT
⌋	RELAY CONTACT (N.O.)		MOTOR WINDING
⌋	RELAY CONTACT (N.C.)	○	TERMINAL

PRINTED FROM D157062P04 REV B

Figure 2. D157075P05 — 460V Models

TO POWER SUPPLY PER UNIT NAMEPLATE AND LOCAL CODES

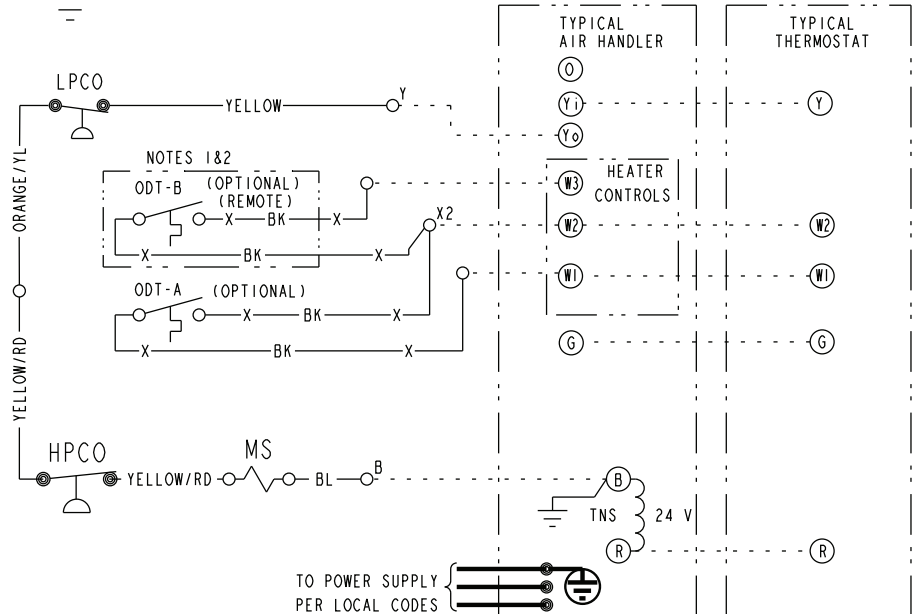


COLOR OF WIRE

BK/BL	BLACK WIRE WITH BLUE MARKER
COLOR OF MARKER	
BK	BLACK
OR	ORANGE
YL	YELLOW
BL	BLUE
RD	RED
GR	GREEN
BR	BROWN
WH	WHITE
PR	PURPLE

COLOR OF MARKER

CA	COOLING ANTICIPATOR
CBS	COIL BOTTOM SENSOR
CF	FAN CAPACITOR
CK	WIRE CONNECTOR
CPR	COMPRESSOR
CR	RUN CAPACITOR
CS	STARTING CAPACITOR
CSR	CAPACITOR SWITCHING RELAY
DFC	DEFROST CONTROL
F	INDOOR FAN RELAY
HA	HEATING ANTICIPATOR
HPCO	HIGH PRESSURE CUTOFF SW.
IOL	INTERNAL OVERLOAD PROTECTOR
LPCO	LOW PRESSURE CUTOFF SW.
MS	COMPRESSOR MOTOR CONTACTOR
ODA	OUTDOOR ANTICIPATOR
OFT	OUTDOOR FAN THERMOSTAT
ODS	OUTDOOR TEMPERATURE SENSOR
ODT	OUTDOOR THERMOSTAT
RHS	RESISTANCE HEAT SWITCH
SC	SWITCHOVER VALVE SOLENOID
SW	SYSTEM "ON-OFF" SWITCH
TDL	DISCHARGE LINE THERMOSTAT
TNS	TRANSFORMER
TS	HEATING-COOLING THERMOSTAT
TSH	HEATING THERMOSTAT



NOTE
THREE PHASE MOTOR (S) FACTORY SUPPLIED IN THIS EQUIPMENT PROTECTED UNDER PRIMARY SINGLE-PHASE CONDITIONS.

FOR CANADIAN INSTALLATIONS
POUR INSTALLATIONS CANADIENNES

CAUTION: NOT SUITABLE FOR USE ON SYSTEMS EXCEEDING 150V - TO - GROUND
ATTENTION: NE CONVIENT PAS AUX INSTALLATIONS DE PLLS DE 150 V A LA TERRE

- NOTES:
- IF ODT-B IS NOT USED, ADD JUMPER BETWEEN W2 & W3 AT AIR HANDLER. IF USED, ODT-B MUST BE MOUNTED REMOTE OF CONTROL BOX IN AN APPROVED WEATHER PROOF ENCLOSURE.
 - IF ODT-A IS NOT USED, ADD JUMPER BETWEEN W1 & W2 AT AIR HANDLER.
 - LOW VOLTAGE (24 V.) FIELD WIRING MUST BE 18 AWG MIN.

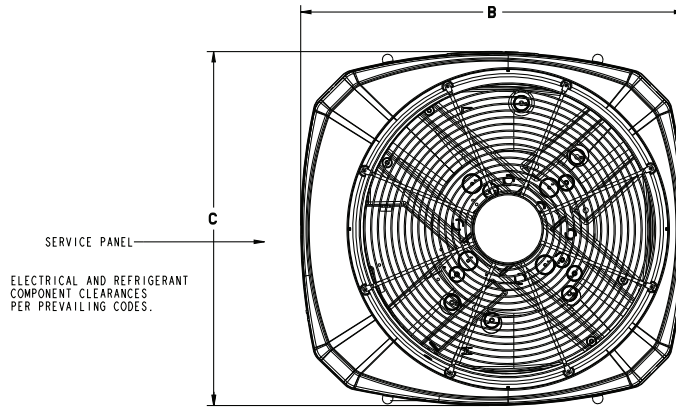
LEGEND-EQUIPMENT DIAGRAM

— 24 V. LINE V.	} FACTORY WIRING		THERMISTOR
- - - 24 V. LINE V.		} FIELD WIRING	
	GROUND		
	JUNCTION		TEMP. ACTUATED SWITCH
	WIRE NUT OR CONNECTOR		POL. PLUG FEMALE HOUSING (MALE TERM.)
	COIL		POL. PLUG MALE HOUSING (FEMALE TERM.)
	CAPACITOR		RESISTOR OR HEATING ELEMENT
	RELAY CONTACT (N.O.)		MOTOR WINDING
	RELAY CONTACT (N.C.)		TERMINAL

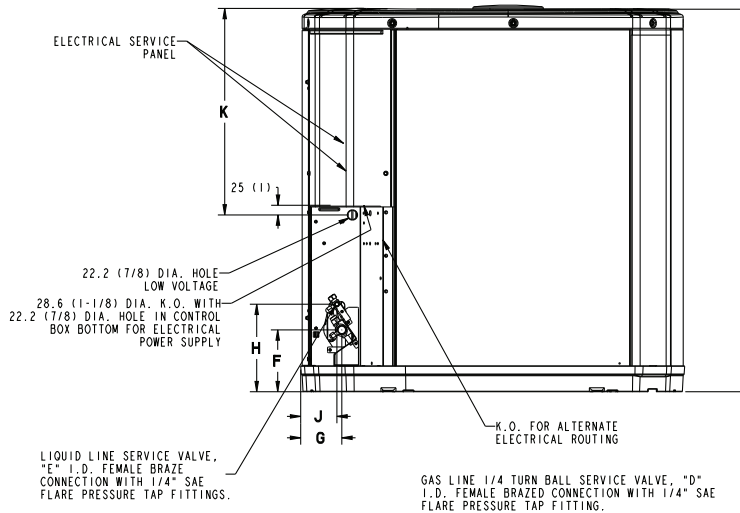
PRINTED FROM D157075P05 REV B



Outline Drawing



TOP DISCHARGE AREA SHOULD BE UNRESTRICTED FOR AT LEAST 1524 (5 FEET) ABOVE UNIT. UNIT SHOULD BE PLACED SO ROOF RUN-OFF WATER DOES NOT POUR DIRECTLY ON UNIT, AND SHOULD BE AT LEAST 305 (12") FROM WALL AND ALL SURROUNDING SHRUBBERY ON TWO SIDES. OTHER TWO SIDES UNRESTRICTED.



GAS LINE 1/4 TURN BALL SERVICE VALVE, "D" 1/4" I.D. FEMALE BRAZED CONNECTION WITH 1/4" SAE FLARE PRESSURE TAP FITTING.

Model	Base	A	B	C	D	E	F	G	H	J	K
4TTA4036A	3	832 (32-3/4)	829 (32-5/8)	756 (29-3/4)	3/4	3/8	127 (5)	76 (3)	197 (7-3/4)	60 (2-3/8)	508 (20)
4TTA4042A	4	741 (29-1/8)	946 (37-1/4)	870 (34-1/4)	3/4	3/8	143 (5-5/8)	83 (3-1-4)	206 (8-1/8)	70 (2-3/4)	508 (20)
4TTA4048A	4	741 (29-1/8)	946 (37-1/4)	870 (34-1/4)	7/8	3/8	143 (5-5/8)	83 (3-1-4)	206 (8-1/8)	70 (2-3/4)	508 (20)
4TTA4060A	4	943 (37-1/8)	946 (37-1/4)	870 (34-1/4)	7/8	3/8	143 (5-5/8)	83 (3-1-4)	206 (8-1/8)	70 (2-3/4)	508 (20)



Mechanical Specification Options

General

The outdoor condensing units are factory charged with the system charge required for the outdoor condensing unit, ten (10) feet of tested connecting line, and the smallest rated indoor evaporative coil match. This unit is designed to operate at outdoor ambient temperatures as high as 115°F. Cooling capacities are matched with a wide selection of air handlers and furnace coils that are AHRI certified. The unit is certified to UL 1995. Exterior is designed for outdoor application.

Casing

Unit casing is constructed of heavy gauge, galvanized steel and painted with a weather-resistant powder paint finish. The corner panels are prepainted. All panels are subjected to our 1,000 hour salt spray test.

Refrigerant Controls

Refrigeration system controls include condenser fan, compressor contactor and low and high pressure switches. A factory supplied, field installed liquid line drier is standard.

Compressor

The compressor features internal over temperature and pressure protection. Other features include: Centrifugal oil pump and low vibration and noise.

Condenser Coil

The outdoor coil provides low airflow resistance and efficient heat transfer. The coil is protected on all four sides by louvered panels.

Low Ambient Cooling

As manufactured, this system has a cooling capacity to 55°F. The addition of an evaporator defrost control permits operation to 40°F. The addition of an evaporator defrost control with TXV permits low ambient cooling to 30°F.

The addition of the BAYLOAM107A low ambient kit permits ambient cooling to 20°F.

Thermostats—Cooling only and heat/cooling (manual and automatic change over). Sub-base to match thermostat and locking thermostat cover.



Trane - by Trane Technologies (NYSE: TT), a global innovator - creates comfortable, energy efficient indoor environments for commercial and residential applications. For more information, please visit trane.com or tranetechnologies.com.



The AHRI Certified mark indicates Trane U.S. Inc. participation in the AHRI Certification program. For verification of individual certified products, go to ahridirectory.org.

Trane has a policy of continuous data improvement and it reserves the right to change design and specifications without notice. We are committed to using environmentally conscious print practices.