



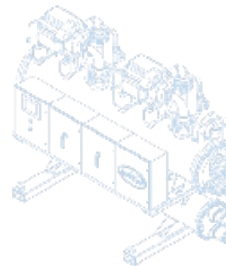
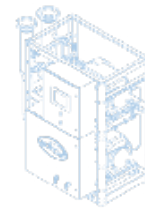
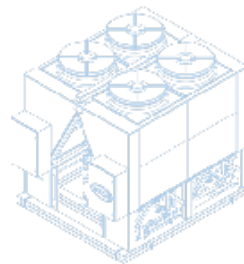
The Arctic Chiller Group

Manufacturer of Premium Efficiency
Cooling Solutions

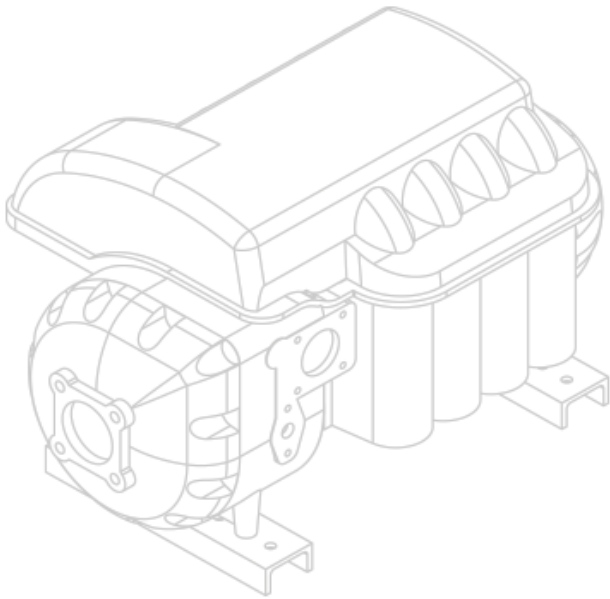


Manhattan Modular Chillers

- Air-Cooled, Water-Cooled, Evaporative Condensing and Split Systems
- Scroll, Screw and Oil-Free Magnetic Bearing compressor options
- Integrated pumping systems with constant or variable speed drives and controls to support variable primary systems
- Strainers serviceable while system is operational
- Heat recovery and simultaneous heating and cooling available in both water-cooled and the air-cooled models
- Free cooling options
- Several low sound options available to meet specific jobsite requirements



Oil-Free Magnetic Bearing Chillers



- Air-Cooled independent circuit models from 60 to 440 tons
- Water-Cooled models from 60 to 1,500 tons available with dual circuits
- Free cooling, liquid pump, economizer, liquid subcooling and DX systems for ultimate energy efficiencies
- Compressor specific Danfoss designed adaptive logic controller on all magnetic compressor chillers maximizes performance and reliability
- Condensing unit available from 60 ton 240 tons
- Available with R-134a refrigerant with options for low GWP R-513A and HFO R-1234ze



Industrial Process Chiller Systems

Industrial Process Capabilities

Trane manufactures a wide variety of standard designs as well as custom chiller solutions for our clients. Trane's diverse capabilities can fulfill virtually any request. Machine cooling, low-temp, pharmaceuticals, explosion proof, chemical processing, high power equipment cooling, medical systems and laboratories.



Engineered Packaged Systems

High Purity Drinking Water Systems

High-purity drinking water systems from Trane are in use at the US Pentagon, the White House and other critical facilities around the world. Features include double-wall heat exchangers, stainless steel tanks, all stainless steel construction and a three stage water filtration process.



Learn more at trane.com



Trane – by Trane Technologies (NYSE: TT), a global climate innovator – creates comfortable, energy efficient indoor environments through a broad portfolio of heating, ventilating and air conditioning systems and controls, services, parts and supply. For more information, please visit trane.com or tranetechnologies.com.

All trademarks referenced in this document are the trademarks of their respective owners.

© 2020 Trane. All Rights Reserved.

ARTC-SLB005-EN
07/09/2020